



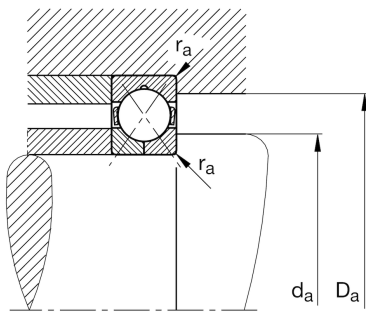
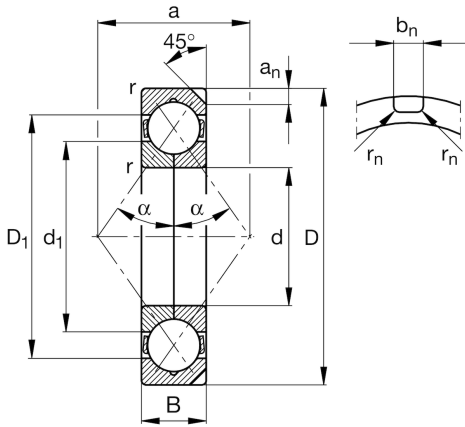
FAG

**QJ222-N2-MPA-C3**

Four-point contact bearing

Schaeffler ID:  
0192612090030Four point contact bearing QJ2..-N2-MPA,  
holding grooves, solid brass cage

## Technical information

**Main Dimensions & Performance Data**

d	110 mm	Bore diameter
D	200 mm	Outside diameter
B	38 mm	Width
C <sub>r</sub>	249.000 N	Basic dynamic load rating, radial
C <sub>0r</sub>	285.000 N	Basic static load rating, radial
C <sub>ur</sub>	12.700 N	Fatigue load limit, radial
n <sub>G</sub>	5.900 1/min	Limiting speed
n <sub>gr</sub>	3.350 1/min	Reference speed
	5,66 kg	Weight

**Dimensions**

r <sub>min</sub>	2,1 mm	Minimum chamfer dimension
D <sub>1</sub>	169,8 mm	Shoulder diameter outer ring
d <sub>1</sub>	141,7 mm	Shoulder diameter inner ring
a	109 mm	Distance between the apexes of the pressure cones
a <sub>n</sub>	10,1 mm	Height retaining slot
b <sub>n</sub>	8,5 mm	Width retaining slot
r <sub>n</sub>	2 mm	Radius retaining slot
	45 °	Angle retaining slot
α	35 °	Contact angle

**Mounting dimensions**

d <sub>a min</sub>	122 mm	Minimum diameter shaft shoulder
D <sub>a max</sub>	188 mm	Maximum diameter of housing shoulder
r <sub>a max</sub>	2,1 mm	Maximum fillet radius

**Temperature range**

T <sub>min</sub>	-30 °C	Operating temperature min.
T <sub>max</sub>	150 °C	Operating temperature max.